

CRAFTMADE

Mondo 72" - MND72ESP6

72" Ceiling Fan with Blades

Finish: Espresso



A picture of modern design, the functional minimalism of the Mondo 72" ceiling fan is also a product of advanced engineering. The unique aileron design of the six long, graceful blades move air with remarkable efficiency.

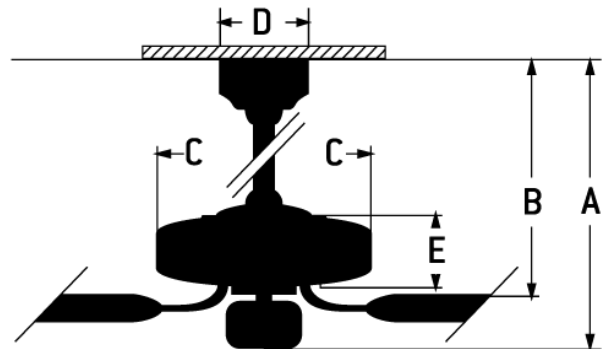
- Energy Saving, 6-Speed Reversible DC Motor
- 6" Downrod (Included)
- 72" Blades in Espresso (Included)
- DC Remote & Wall Controls (Included)
- Dual Mount (Flat or angled ceiling)
- Suitable for Damp Locations
- Sophisticated DC Motor requires automatic 7-minute calibration period upon installation. The remote and wall controls are inoperable during that time, after which the fan, remote control and wall control (if applicable) will be fully operational.
- Remote Dimming

Specs

Blade Sweep Opt (in.)	72
Blades	6
Blade Pitch (°)	13
Motor Size (MM)	165x25
Amps at High Speed	0.48
Watts (Hi Speed)	33.70
Energy Guide CFM	5915
Energy Guide CFM_Watts	176
High Speed (CFM)	5915
Low Speed (CFM)	3091
Shipping Weight (lbs.)	20.77
Carton Size (CU FT)	2.88

Dimensions

A:	15.56
B:	12.50
C:	6.50
D:	5.12
E:	9.59
F: w/o Light Kit - Downrod Length (in.)	6



Downloads

Mondo 72" - MND72ESP6

 [PDF Tear Sheet](#)

 [Installation Guide](#)

 [Energy Guide](#)

ENERGY INFORMATION at High Speed		
Airflow 5915 Cubic Feet Per Minute	Electricity Use 34 Watts (excludes lights)	Airflow Efficiency 174 Cubic Feet Per Minute Per Watt
Compare: 49" to 60" ceiling fans have airflow efficiencies ranging from approximately 51 to 176 cubic feet per minute per watt at high speed.		
Money-Saving Tip: Turn off fan when leaving room		