

CRYST RAMA

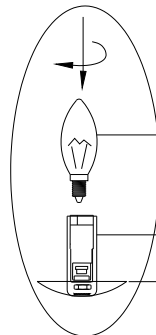
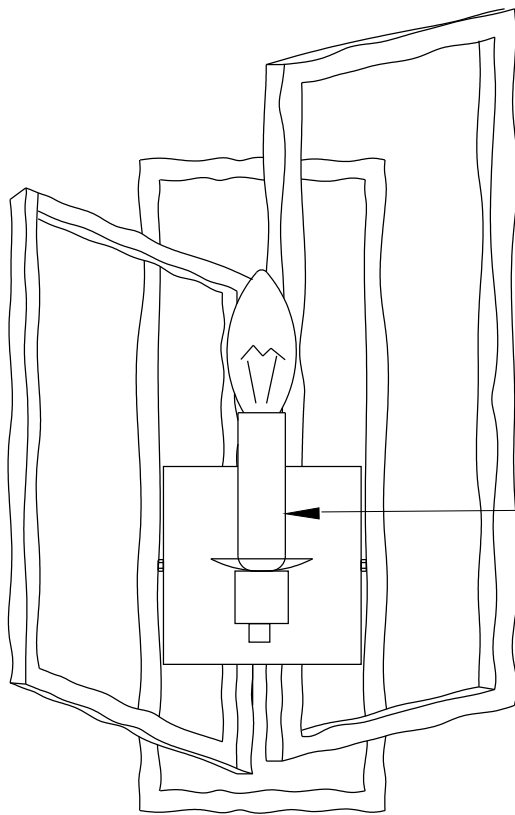
1958

95 Cantiague Rock Road, Westbury NY 11590
 ph:516.931.9090 fax:516.931.1254
 info@crystorama.com . www.crystorama.com

MODEL#:331-GY ASSEMBLY AND DRESSING INSTRUCTIONS




All electrical components must be installed by a licensed electrician in accordance with the National Electric Code and the appropriate local electrical codes.

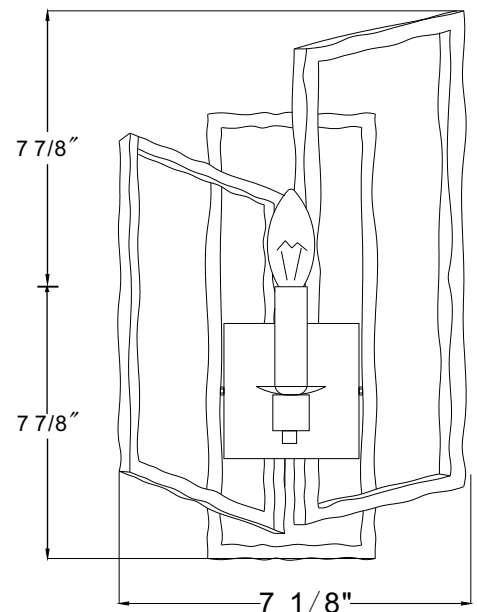
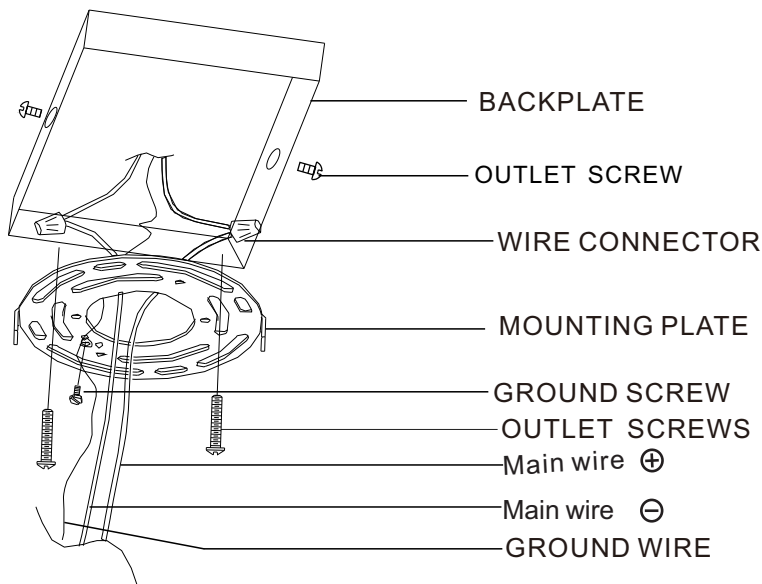


BULB (NOT INCLUDED)
 1X MAX 60W/C

SOCKET SLEEVE

BOBECHE


 You will need 1 Cand. Bulb
 40 Watts Recommended
 60 Watts Max
 Bulb not included.



2014/11