

# CRYST RAMA



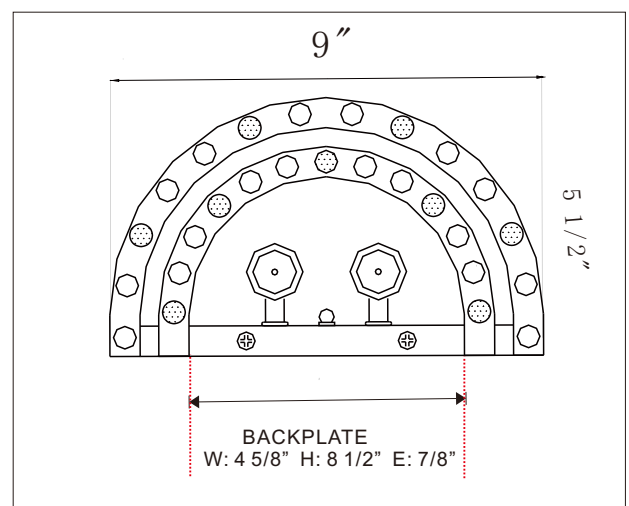
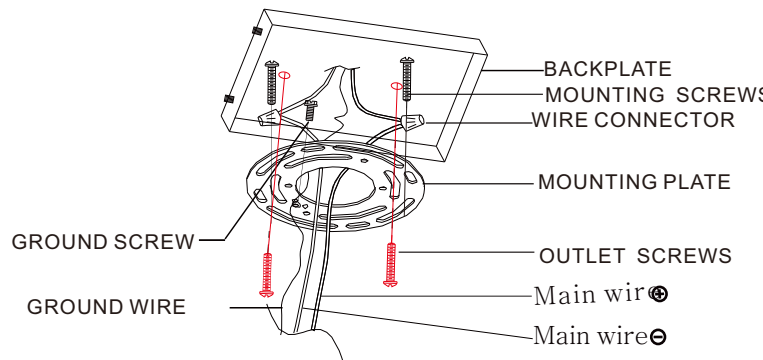
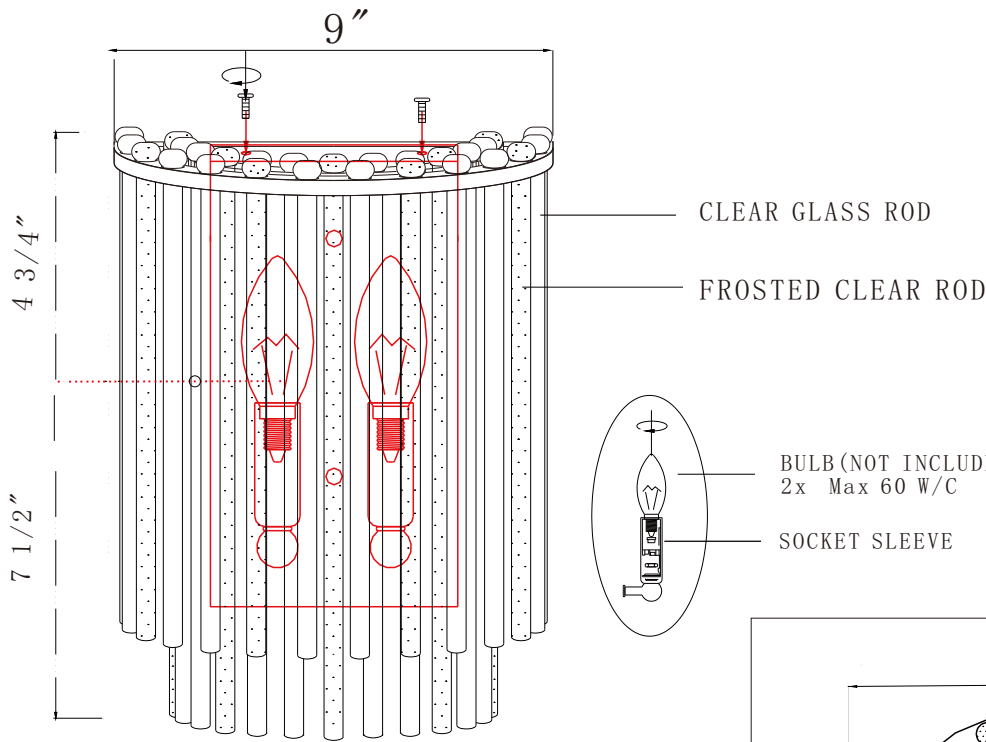
1958

95 Cantiague Rock Road, Westbury NY 11590  
 ph: 516.931.9090 fax: 516.931.1254  
 info@crystorama.com . www.crystorama.com

## MODEL#: 392-CH ASSEMBLY AND DRESSING INSTRUCTIONS



**WARNING:**  
 All electrical components must be installed by a licensed electrician in accordance with the National Electric Code and the appropriate local electrical codes.



PS: The pattern of the rods to the following outer ring : 2 clear rods + 1 frosted and then repeat, inner ring: 1 frosted + 2 clear rod and then repeat.

- "A" = 12" GLASS ROD (CLEAR) x 8 pcs
- "A" = 12" GLASS ROD (FROSTED) x 5 pcs
- "B" = 10" GLASS ROD (CLEAR) x 10 pcs
- "B" = 10" GLASS ROD (FROSTED) x 4 pcs

Please Note :  
 We have included extra glass rod for each Bleeker Collection fixture.  
 If needed, please reference the given illustration on how to replace the glass rod.