

# Dunne 4 Light Floor Lamp

ET1124 1.0

## GENERATION LIGHTING

### Portable

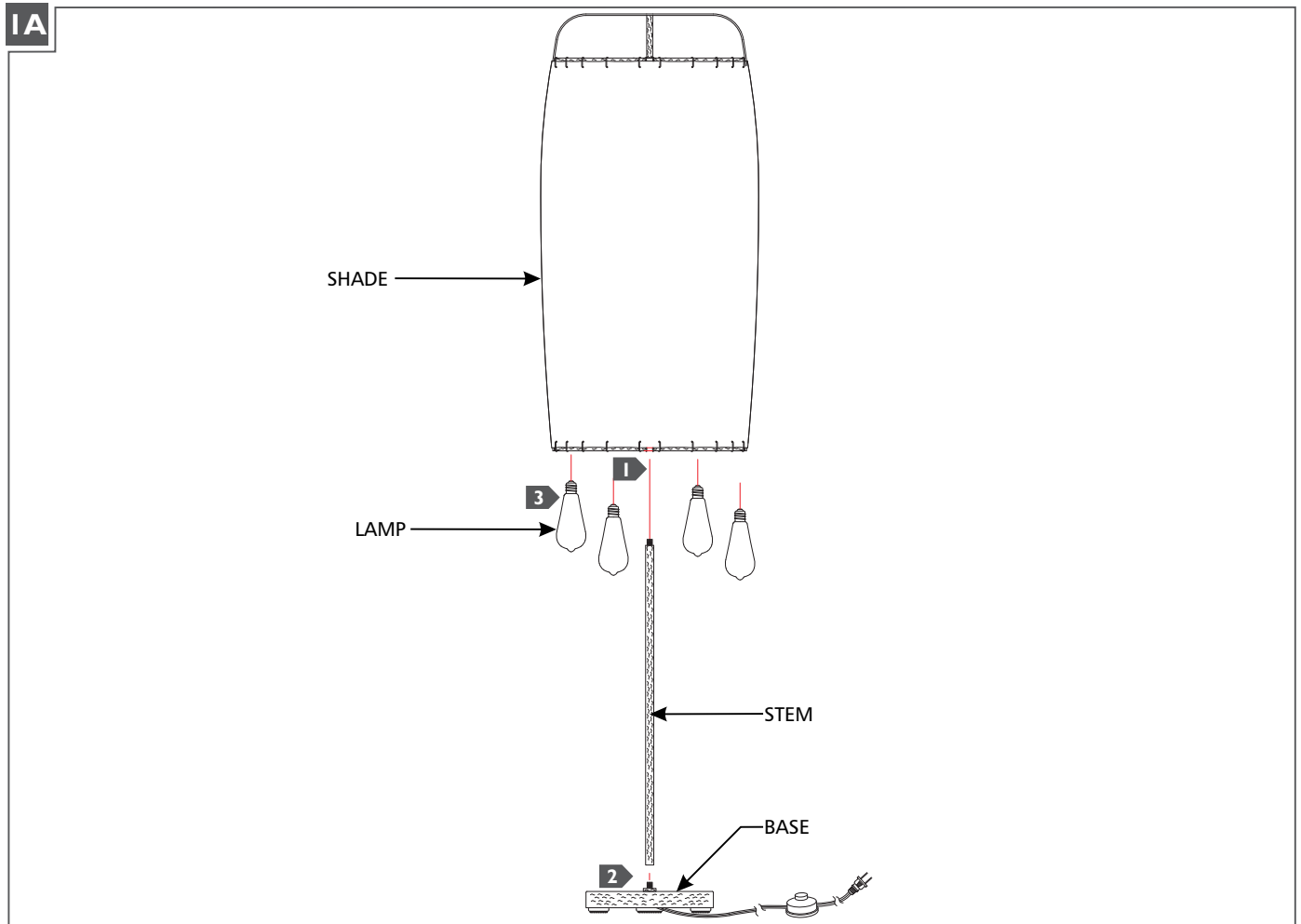
#### GENERAL PRODUCT INFORMATION:

This product is safety listed for dry locations only.

This instruction shows a typical installation.

#### IMPORTANT SAFETY INSTRUCTIONS

This portable lamp has a polarized plug (one blade is wider than the other) as a safety feature to reduce the risk of electric shock. This plug will fit in a polarized outlet only one way. If the plug does not fit fully in the outlet, reverse the plug. If it still does not fit contact a qualified electrician. Never use with an extension cord unless plug can be fully inserted. Do not attempt to defeat this safety feature.



- 1** Screw the stem onto the fixture.
- 2** Screw the stem onto the base.
- 3** Reach inside the shade and screw the lamps into the sockets. Refer to the label on the lamp socket for Max Wattage information.

**SAVE THESE INSTRUCTIONS!**

GENERATION LIGHTING

7400 Linder Ave, Skokie, IL 160077

800.969.3347

**[www.generationlighting.com](http://www.generationlighting.com)**

© 2019 Generation Lighting. All rights reserved.

The "Generation Lighting" graphic is a registered trademark of Generation Lighting. Generation Lighting reserves the right to change specifications for product improvements without notification.