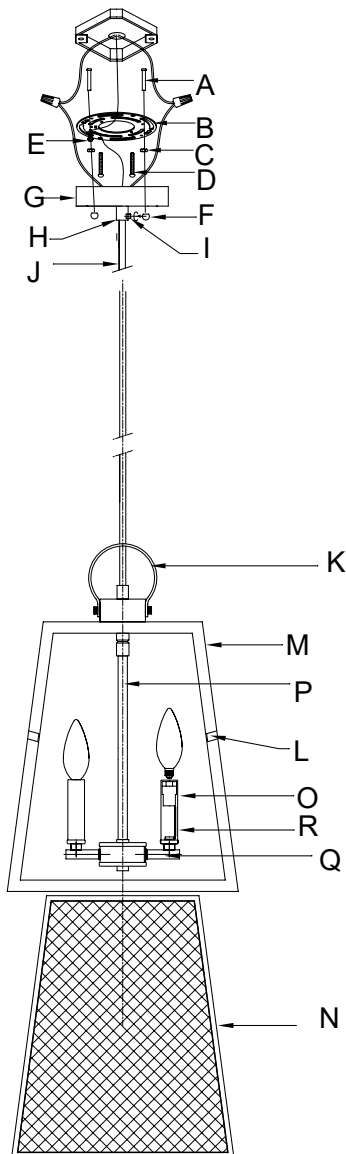


Assembly Instructions: 3239-4P (Abbott)

IMPORTANT:

- ALL INSTALLATION WORK SHOULD BE DONE BY ACCREDITED PROFESSIONAL.
- SHUT OFF POWER SUPPLY AT FUSE OR CIRCUIT BREAKER!
- USE ONLY THE SPECIFIED BULBS. DO NOT EXCEED THE MAXIMUM WATTAGE!

For Customer Service, please contact the place of purchase.



PREPARING FOR INSTALLATION

Remove all of the contents from the carton. See the important notes above. Shut off the power at the circuit breaker and completely remove the old fixture from the ceiling, including the old mounting strap.

1. Take the mounting strap assembly from the parts bag. Mounting strap (B) contains several threaded holes. Two of mounting screws (A) should be attached to mounting strap (B). You may need to tighten nuts (C) that hold these screws in place. If the screws are not attached, please hold canopy (G) up to mounting strap (B). Line up the holes in canopy (G) with the holes in mounting strap (B) and insert mounting screws (A) into mounting strap (B) so that mounting screws (A) protrude through the holes in canopy (G). Mounting screws (A) are long, so please test the canopy against the mounting strap to see how far you should insert the screws. Tighten nuts (C) onto mounting screws (A) to hold the screws in place.
2. Pull the house wires through the center of mounting strap (B). Place mounting strap (B) over the junction box so that mounting screws (A) are vertical, and in alignment with the hole locations on the fixture's canopy (G).
3. Secure mounting strap (B) to the junction box with mounting screws (D) and a screwdriver. Tighten the screws securely.

ASSEMBLING THE FIXTURE

4. The fixture's height is adjustable by cable wire (J). Before installation, determine the desired overall height of the fixture and mark cable wire (J).
5. Pull cable wires (J) through center rod (P) and top loop (K). Put cable wire (J) through swivel (H). Cut away or wrap any extra length of cable wire (J). Tighten cable wire (J) with thumb screw (I) on swivel (H).

CONNECTING THE WIRES

6. Have an assistant support the fixture's weight while completing the wiring. Refer to the wiring diagram and attach the fixture's wires to the power supply wires from the junction box. Connect Hot to Hot, Neutral to Neutral, and Ground to Ground. Twist the ends of the wire pairs together, and then twist on a wire connector. Make sure all twists are in the same direction. If there is no house ground wire coming from the junction box, locate ground screw (E) on the mounting bracket/mounting strap and wrap the fixture's ground wire around the ground screw. Use a screwdriver to tighten the top of ground screw (E) onto the wires and into the mounting bracket/mounting strap. Tuck the wires into the junction box.

FINISHING THE INSTALLATION

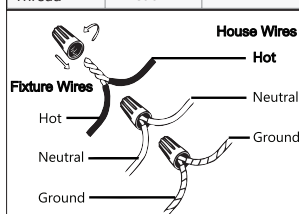
7. Place the fixture's canopy (G) over mounting screws (A) so that they protrude through the holes in canopy (G). Thread deco nuts (F) onto mounting screws (A).
8. Slide candle sleeves (O) over sockets (R).
9. Slide mesh panels (N) inside frame (M), and bend clips (L) on frame (M) to hold the mesh panels (N) in place. (Note: By design, each fixture contains and uses 2 panels.)

Install light bulbs (not included) in accordance with the fixture's specifications. Do not exceed the maximum recommended wattage.

Your installation is now complete. Turn on the power and test the fixture.

How to Identify the Fixture's Wires

| Hot | Neutral | Ground |
|--------------------|--------------------|--|
| Smooth | Ribbed | Bare Metal, Green, or Green Inner Thread |
| Black | White | |
| Black Inner Thread | White Inner Thread | |



CLEANING TIPS

Treat the fixture gently! Regular cleaning will reduce the need for deep cleaning. For regular cleaning, turn off the light and wipe down the fixture with a clean lint-free cotton or microfiber cloth. Never spray cleaner directly onto the fixture.