



Incandescent

**Complete Round Housing & Trim
Heater Light**

Recessed

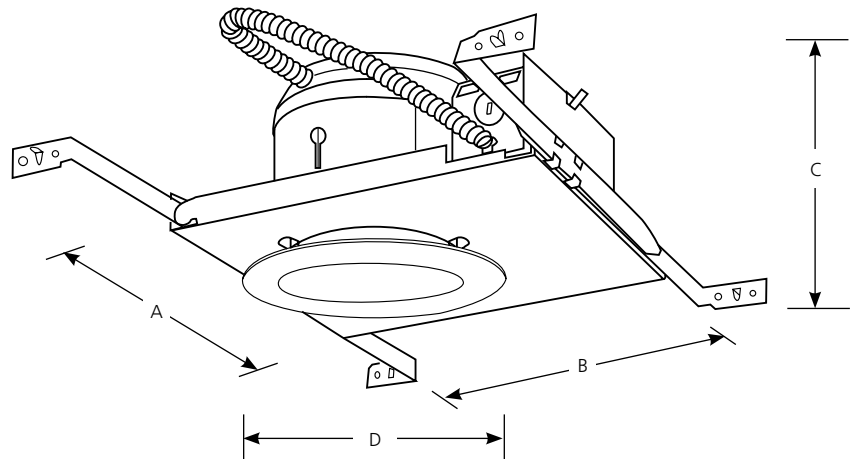
Non-IC

Type _____

-16TG

P6952

Catalog No.	Finish	Lamping	Dimensions (Inches)			
	Satin Aluminum		A	B	C	D
P6952	-16TG	1 R-40 250w Heater	8-3/8	13	7-3/4	7-3/4"
			6-7/8 ceiling opening			



Specifications:

Wiring

- Universal junction box with snap out sides
- Removable housing for field inspection of wiring
- Ground pigtail
- 1/2" & 3/4" knock outs for rigid or BX fittings
- Rated for 8 #12 90 degree conductors (4 in, 4 out)

Construction

- Steel construction
- Maximum ceiling thickness 1-1/2"
- Full wrap around plaster frame
- Suitable for remodel application as per instruction sheet provided with fixture

Bar Hangers

- 26" bar hangers span 24" T-bar spacing
- Captive
- Lock to secure housing

Electrical

- Medium base porcelain socket with nickel-plated brass screw shell
- Socket mounted in fixed position
- Pre-wired

Labeling

- Non-IC rated
- UL-CUL Damp location listed and feed through branch wiring

Trim

- Aluminum construction with light satin finish
- Open trim
- Trim installs with coil springs and fits tight to ceiling

Progress Lighting
701 Millennium Blvd.
Greenville, South Carolina
29607

www.progresslighting.com

Rev. 08/14