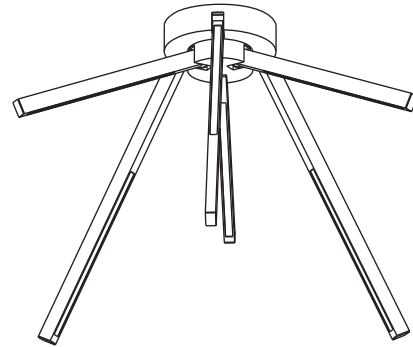


Aeon Ceiling

700FMAEON

1.0



GENERAL PRODUCT INFORMATION:

These fixtures are intended to be installed utilizing NEC compliant junction boxes.

This product is suitable for damp locations.

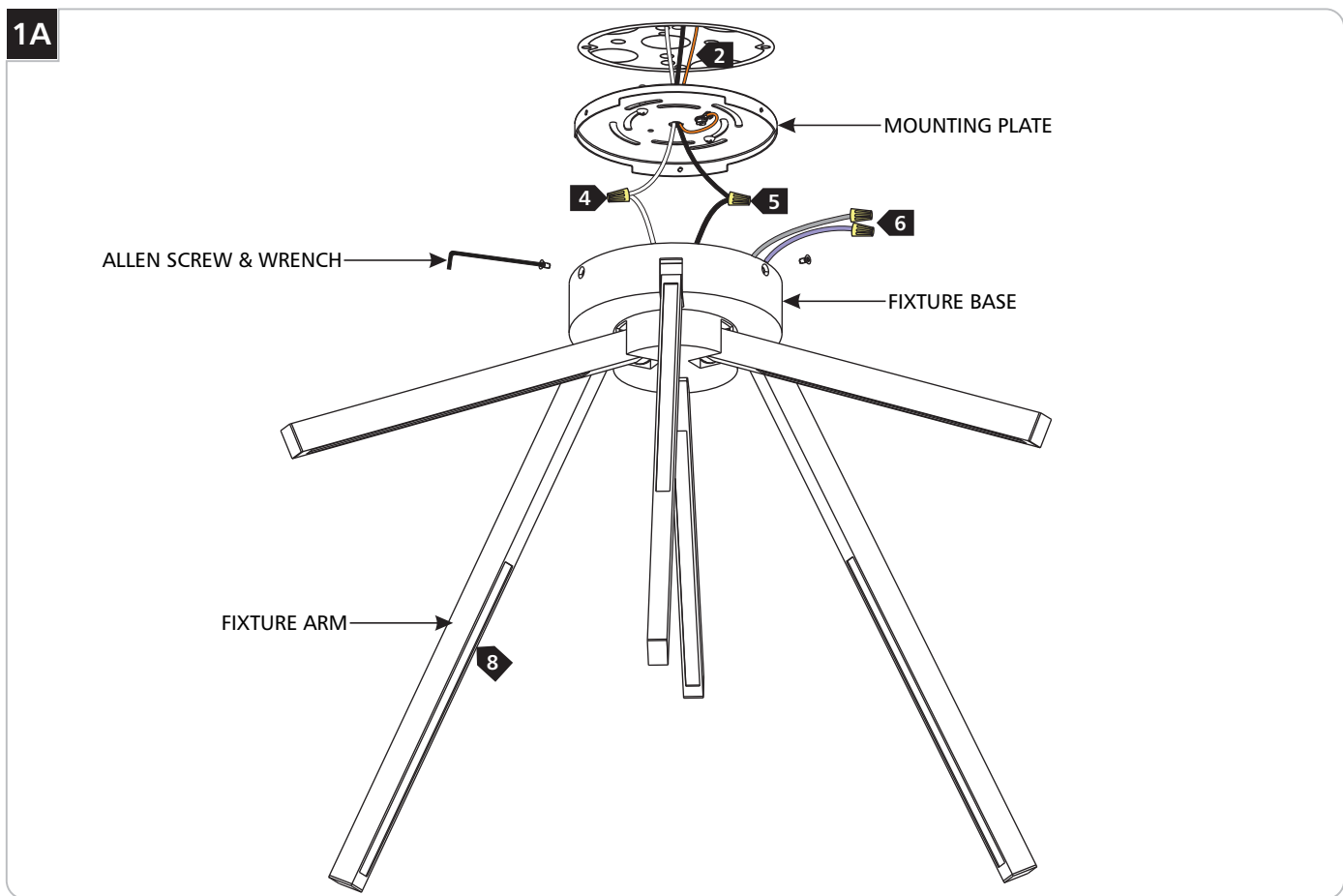
This product may be dimmed with a low-voltage electronic dimmer.

This instruction shows a typical installation.



CAUTION - RISK OF FIRE
 This product must be installed in accordance with the applicable installation code by a person familiar with the construction and operation of the product and the hazards involved.
 Use minimum 90°C supply conductors.

Install the Fixture



- 1** Remove the mounting plate from the fixture base by unscrewing the Allen screws around the base using the provided Allen wrench.
- 2** Connect the mounting plate ground wire to a suitable ground in accordance with local electrical codes.
- 3** Install the mounting plate to the junction box with the two #8-32 screws (not shown) provided.
- 4** Connect the white driver wire to the neutral power line.
- 5** Connect the black driver wire to the hot power line.
- 6** Use the gray and purple dimming wires for 0-10v dimming application (if not in use, make sure to cap these wires off). **Warning:** The purple and gray wires are only used for 0-10v dimming. For all other applications, do not connect the gray and purple wires.
- 7** Properly place all wires and wire nut connections into the fixture base, then mount the fixture base back onto the mounting plate and secure it by installing the Allen screws (reversal of step 1).
- 8** Carefully open/close the fixture arms until the desired angle is achieved.

SAVE THESE INSTRUCTIONS!



TECH LIGHTING®

7400 Linder Ave, Skokie, IL 60077
847.410.4400

www.techlighting.com

© 2018 Tech Lighting, L.L.C. All rights reserved. The "Tech Lighting" graphic is a registered trademark of Tech Lighting, L.L.C. Tech Lighting reserves the right to change specifications for product improvements without notification.

A Generation Brands Company