



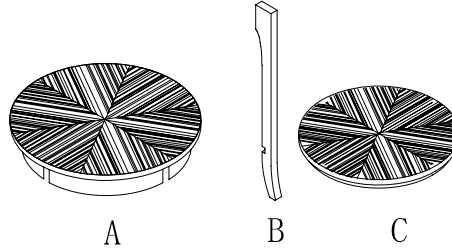
UTTERMOST

# Assembly Instruction

## ITEM#24228

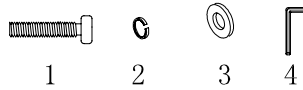
**Component List:**

- A. Table Top.....1pc
- B. Leg.....4pcs
- C. Bottom panel.....1pc

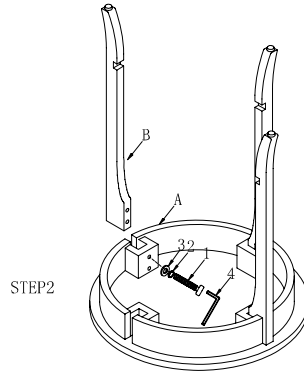


**Hardware List:**

- 1. Bolt.....12pcs
- 2. Spring Washer.....12pcs
- 3. Flat Washer.....12pcs
- 4. Allen Wrench.....1pc

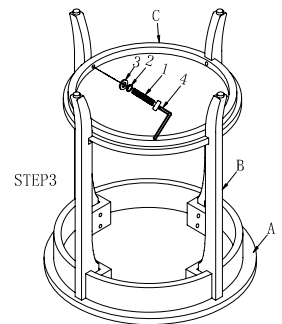


**Step1.** Put the Table top on a soft, clean place.

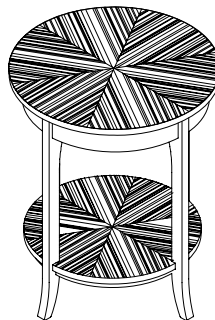


**Step2.** Assemble the leg to the table top as shown, don't tighten yet.

**Step3.** Assemble the bottom panel to the leg as shown.



**Step4.** Tighten all the bolts. Turn the table upright.



Assembly is complete now.  
Thank you for your purchase.