

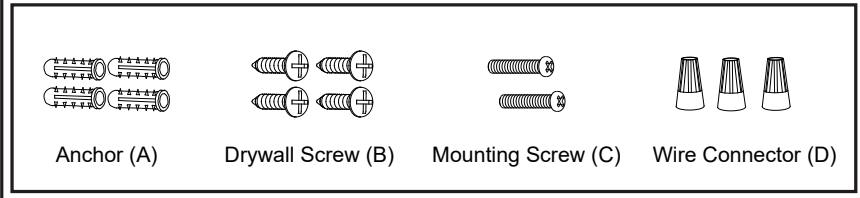
# ASSEMBLY AND INSTALLATION INSTRUCTIONS

C0235

**WARNING:** TO AVOID RISK OF ELECTRICAL SHOCK, BE SURE TO SHUT OFF POWER WHILE INSTALLING OR SERVICING THIS FIXTURE.

**NOTE:** 1. Before installing, consult local electrical codes for wiring and grounding requirements.  
2. READ AND SAVE THESE INSTRUCTIONS.

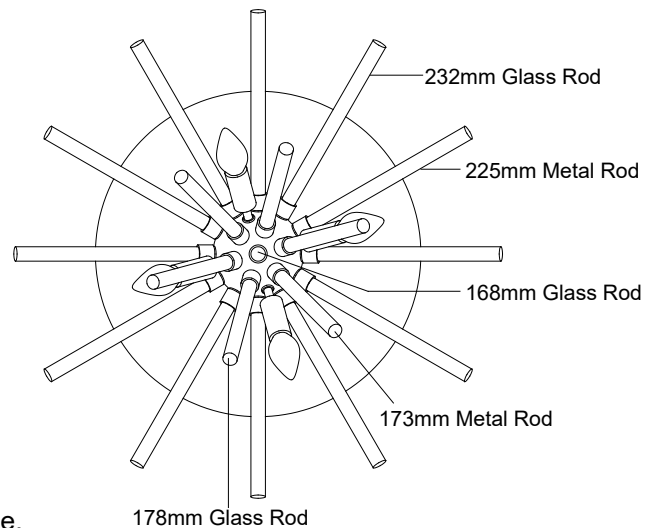
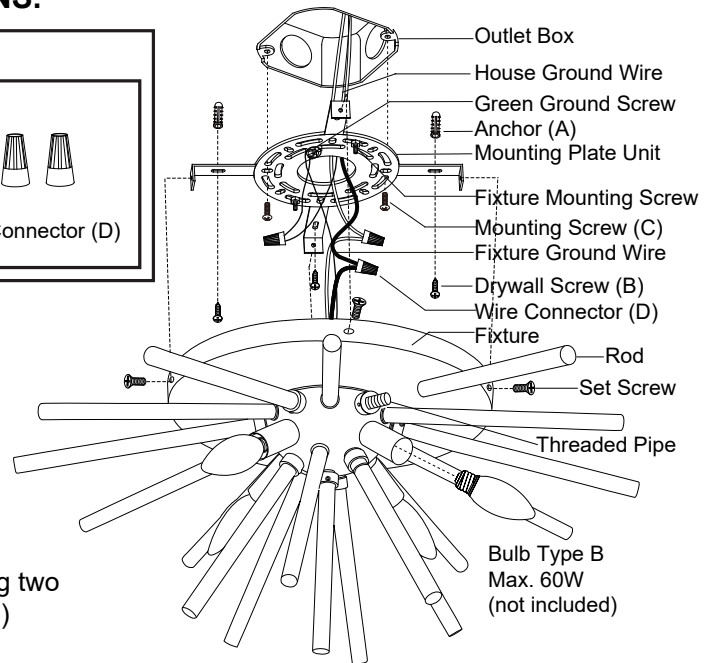
## Hardware Package (included):



## Installation Steps

Turn off the power at fuse or circuit box

- Unscrew the four set screws.  
Remove the mounting plate unit from the fixture.
- 2a. For Mounting to wood:  
Attach the mounting plate unit to the outlet box by using two mounting screws (C), then secure the drywall screw (B) through the set hole to the wall.
- 2b. For Mounting to Drywall:  
Place the mounting plate unit to the outlet box and mark the target on the wall from the set hole for drilling two holes, remove the mounting plate unit, drill the holes and thread the anchors (A) into the holes, then attach the mounting plate unit to the outlet box by using two mounting screws (C). Secure the drywall screws (B) through the set holes into the anchors (A).
- Pull out the source wires from the outlet box. Make wire connections using wire connectors (D) as follows:
  - Connect the hot wire (black insulation) from the fixture to the black wire from the power source.
  - Connect the neutral wire (white insulation) from the fixture to the white wire from the power source.
  - Attach the fixture ground wire (bare wire) to the mounting plate unit with the green ground screw. Then, depending on local code, connect it to the house ground wire with the wire connector (D).
 Carefully put all of the wires back into the outlet box.



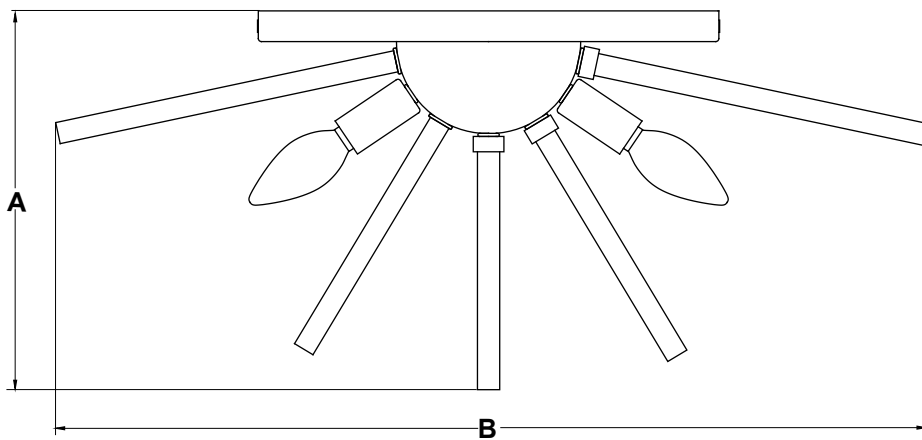
- Attach the fixture to the mounting plate unit and then secure it with four set screws.
- Install rods as shown, 225mm metal rods and 232mm glass rods installed alternately at bottom tier, 173mm metal rods and 178mm glass rods installed alternately at upper tier, 168mm glass rod installed at the center.
- Install the bulbs (not included). See relamping label at socket area or packaging for maximum wattage allowed.

Turn on the power at fuse or circuit box

The following parts are available for re-order if damaged or missing.

**Spare Parts List:**

Anchor (A)	Drywall Screw (B)	Mounting Screw (C)	Wire Connector (D)	→ Mounting Hardware 6284MM (1SET)
225mm Metal Rod 3244RD	173mm Metal Rod 3246RD	232mm Glass Rod 3245RD	178mm Glass Rod 3247RD	



**A: 10"**  
**B: 22-1/2"**