

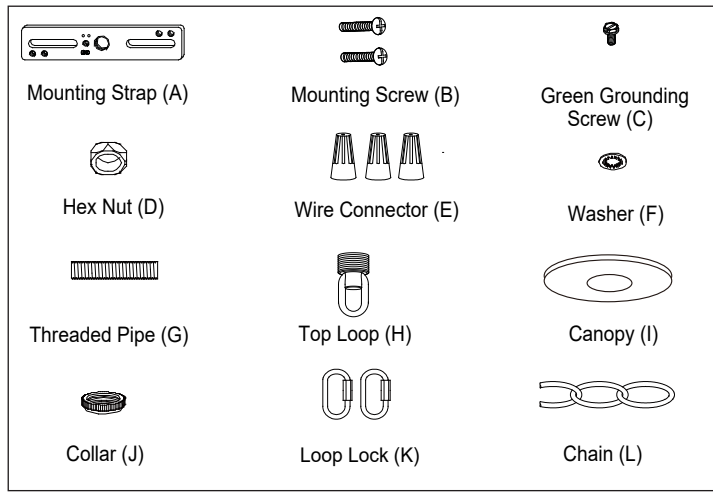
ASSEMBLY AND INSTALLATION INSTRUCTIONS

T0438 T0439

WARNING: TO AVOID RISK OF ELECTRICAL SHOCK, BE SURE TO SHUT OFF POWER BEFORE INSTALLING OR SERVICING THIS FIXTURE.

NOTES: 1. Before installing, consult local electrical codes for wiring and grounding requirements.
2. READ AND SAVE THESE INSTRUCTIONS.

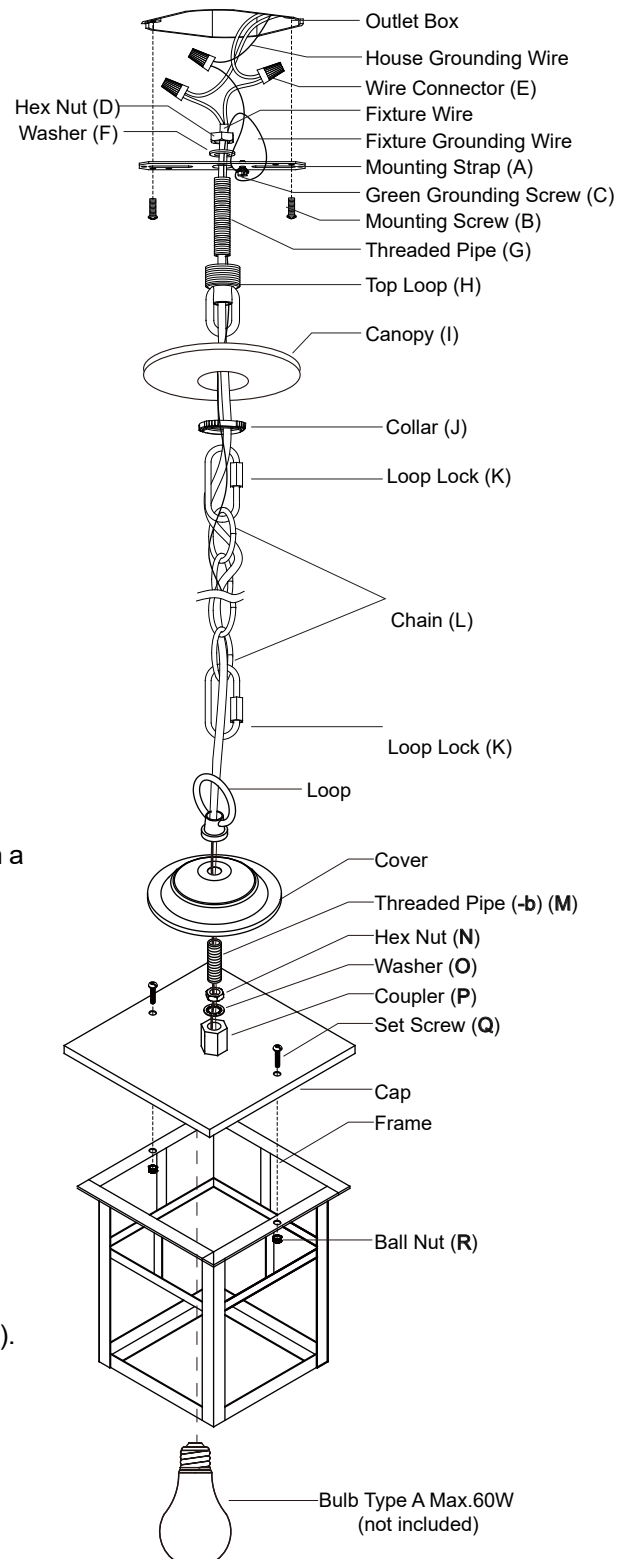
Hardware Package (Included):

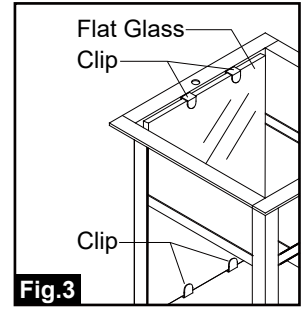
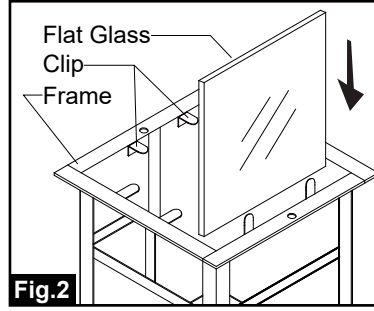
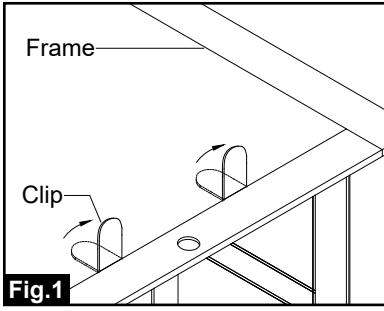


Installation Steps

Turn off the power at fuse or circuit box

1. Attach threaded pipe (G) to the mounting strap (A), then secure it with a washer (F) and hex nut (D).
2. Attach the mounting strap (A) to the outlet box by using two mounting screws (B).
3. Secure the top loop (H) to threaded pipe (G).
4. Unscrew the set screws (Q) and ball nuts (R) to separate the cap from the frame.
5. Screw threaded pipe (-b) (M) into the coupler (P), and secure it with a washer (O) and hex nut (N). Then attach the cover to the cap by inserting threaded pipe (-b) (M), and secure it with the loop.
6. Connect one end of the chain (L) with the loop by using a loop lock (K). Connect the other end of the chain (L) with the top loop (H) by using another loop lock (K).





7. Gently pull the clips upright to place the flat glasses into the frame, and then press them back to secure the flat glasses. (See Fig.1 & Fig.2)

Note: The flat glass should be fastened into position as shown in Fig.3.

8. Restore the cap assembly back to the frame, and then secure it with two set screws (Q) and two ball nuts (R).

9. Choose the length of the chain (L) you need, then weave the fixture wire and the fixture grounding wire through the chain links. Spread one end of chain link to clamp securely to the loop.

10. Clamp the other end of chain link to the top loop (H).

11. Thread the fixture wire and fixture grounding wire through the collar (J), canopy (I), top loop (H), threaded pipe (G) and mounting strap (A).

12. Pull out the outlet wires and housing wire from the outlet box. Make wire connections using the wire connectors (E):
 ---The smooth wire (marked) from the fixture to the black wire from the power source.
 ---The ridged wire (unmarked) from the fixture to the white wire from the power source.
 --- Attach the fixture grounding wire to the mounting strap (A) with the green grounding screw (C). Then connect it to the house grounding wire with a wire connector (E).
 Carefully put the wires back into the outlet box.

13. Attach the canopy (I) to the mounting strap (A) by inserting the top loop (H), then secure it with the collar (J).

14. Install a bulb (not included). See relamping label at socket area or packaging for maximum allowed wattage.

Turn on the power at fuse or circuit box

The following parts are available for re-order if damaged or missing.

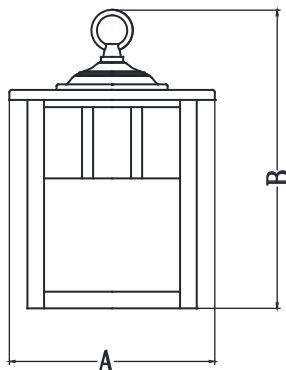
Spare Parts List:

Mounting Strap (A)	Mounting Screw (B)	Green Grounding Screw (C)	Hex Nut (D)	Wire Connector (E)	Washer (F)
Threaded Pipe (G)	Top Loop (H)	Canopy (I)	Collar (J)	Loop Lock (K)	Chain (L)

Mounting Hardware 5969MM(1 SET)

T0438 Glass (4 PCS) 10017CS

T0439 Glass (4 PCS) 10018CS



T0438

T0439

A: 9"
B: 13"

A: 7-1/4"
B: 10-3/4"