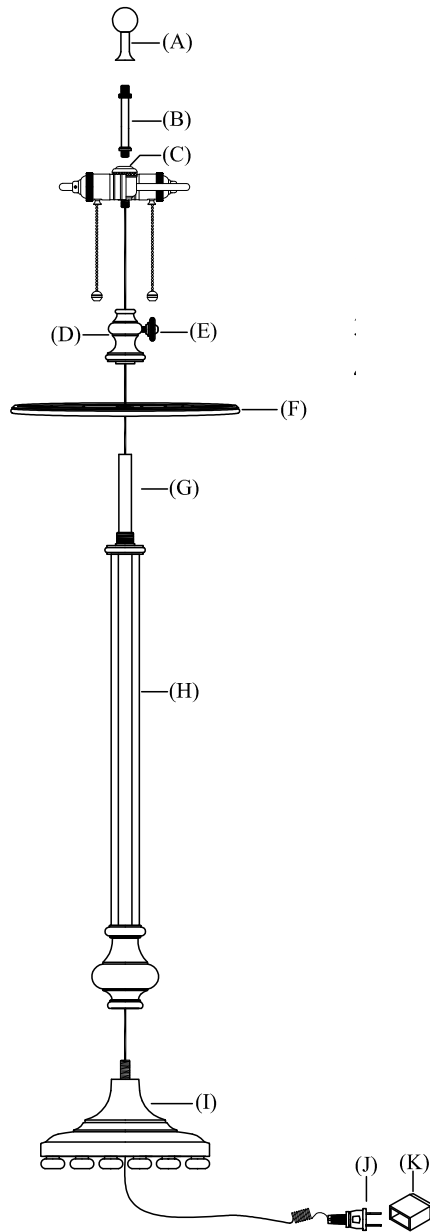


CHA9125

ASSEMBLY & INSTALLATION GUIDE



INSPECT ITEM CAREFULLY BEFORE ATTEMPTING TO INSTALL. IF THERE IS ANY DAMAGE OR OBVIOUS DEFECT, DO NOT INSTALL.

ITEM MAY NOT BE RETURNED ONCE IT HAS BEEN INSTALLED.

1. Loosen adjustment key (E), carefully slide glass fray (F) and part (D) over pole (G), screw part (D) onto top threaded section of pole (H).
2. Screw pole (G) onto bottom threaded nipple of "S" cluster (C).
3. Screw pole (H) onto top threaded nipple of base (I).
4. Thread rod (B) into top threaded opening of "S" cluster (C).
5. Remove finial (A) from rod (B), place lamp shade (not included) over top threaded section of rod (B) and secure with finial (A).
6. Insert light bulbs into socket.
7. Remove protective plastic (K) from electrical plug (J). Plug lamp into wall outlet.
8. ADJUSTMENT INSTRUCTIONS:
 1. Loosen adjustment key (E).
 2. Adjust the lamp by pulling or pushing part (D) up or down to desired height.
 3. Tighten adjustment key (E).