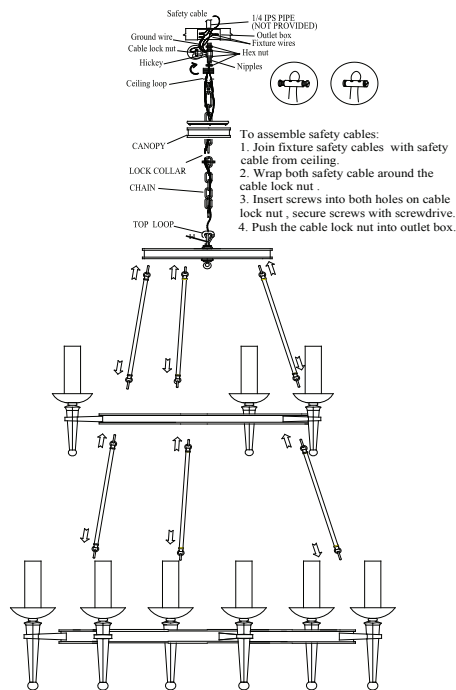
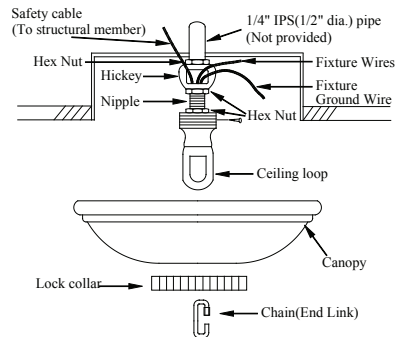


ASSEMBLY INSTRUCTIONS



Dorset Large Torch Chandelier

Item # CHC1462

WE RECOMMEND INSTALLATION OF THIS LIGHTING FIXTURE BE DONE BY A LICENSED ELECTRICIAN.

WARNING * SWITCH OFF THE MAIN ELECTRICAL SUPPLY FROM THE MAIN FUSE BOX/CIRCUIT BREAKER BEFORE INSTALLATION.**

INSPECT ITEM CAREFULLY BEFORE ATTEMPTING TO INSTALL. IF THERE IS ANY DAMAGE OR OBVIOUS DEFECT, DO NOT INSTALL.

ITEM MAY NOT BE RETURNED ONCE IT HAS BEEN INSTALLED.

1. Hang the metal arm to the small metal ring and middle ring.
2. Repeat step 1 for two (2) metal bands.
3. Hang the metal arm to the middle ring and large ring.
4. Repeat step 3 for two (2) metal bands.
5. Install the light bulbs (not included) into sockets.
6. Provide a 1/4" IPS pipe with one end securely mounted to a beam or a structural member. The other end should protrude through the center of the outlet box as shown.
7. Assemble the ceiling loop, nipple, nuts and hickey to center 1/4"IPS support pipe and adjust overall length to allow the lock collar to hold the canopy flush to the ceiling. When the adjustments have been completed, secure the three (3) nuts, as shown.
8. Attach the chain to the fixture loop. Slip the lock collar and canopy over the upper end of the chain. Open the end link of the chain and lift the fixture to attach to the ceiling loop and secure the link.
9. Lace the fixture wires and ground wire through the chain and loop, exiting through the nipple on crossbar.
10. At this point connect the electrical wires as making sure all wire nuts are secured. You may have to wrap the connections with electrical tape. If your outlet have a ground wire (green or bare copper) connections, neatly tuck into the ceiling junction box.
11. Tuck these wire connections neatly into the ceiling junction box.
12. Raise the lock collar and thread onto ceiling loop protruding through canopy.
13. Installation complete. Return power and test fixture.