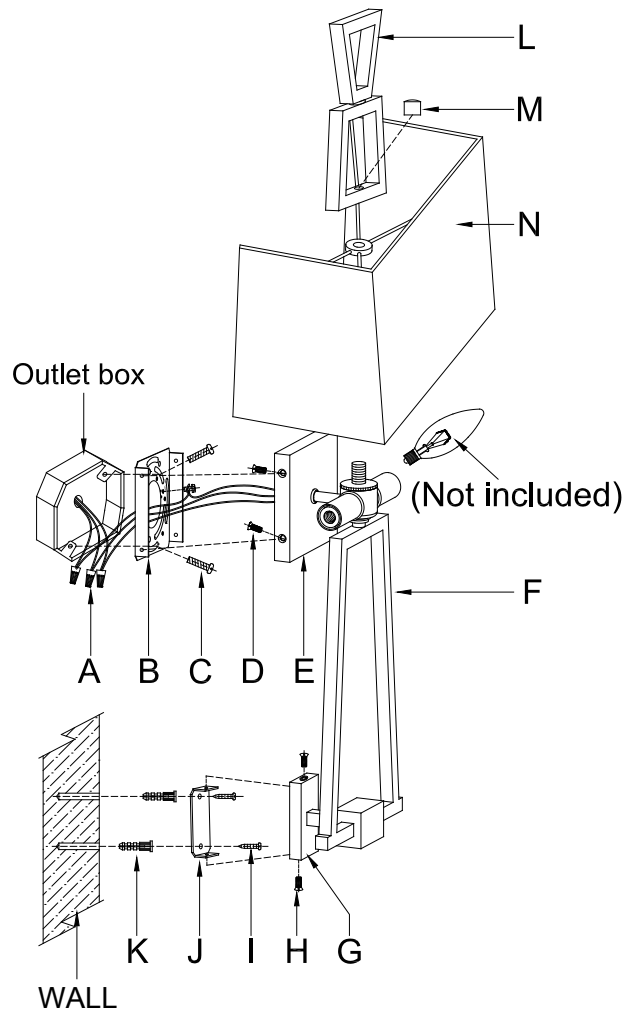


ASSEMBLY INSTRUCTIONS



Modern Darlana Bouillotte Sconce

Item # CHD2266

WE RECOMMEND INSTALLATION OF THIS LIGHTING FIXTURE BE DONE BY A LICENSED ELECTRICIAN.

WARNING * SWITCH OFF THE MAIN ELECTRICAL SUPPLY FROM THE MAIN FUSE BOX/CIRCUIT BREAKER BEFORE INSTALLATION.**

INSPECT ITEM CAREFULLY BEFORE ATTEMPTING TO INSTALL. IF THERE IS ANY DAMAGE OR OBVIOUS DEFECT, DO NOT INSTALL.

ITEM MAY NOT BE RETURNED ONCE IT HAS BEEN INSTALLED.

1. Drill 2 holes on the wall and make sure the hole distance will match to the metal part (J) holes .
2. Carefully remove the plate (J) from the back plate (G) by removing side screws (H). Knock the expansion pipe(K) into the two wall holes and secure the plate (J) to expansion pipe(K) by using the screw (I). Carefully remove the mounting plate (B) from the back plate (E) by removing side screws (D).
3. Attach the ground wire from the fixture to the ground wire from the building using the provided wire nut (A).
IT IS IMPERATIVE THAT THE OUTLET BOX IN YOUR HOME BE PROPERLY GROUNDED.
4. Attach the neutral wire (ribbed, no words) from the fixture to the white wire from the building using the provided wire nut (A). Attach the hot wire (smooth, with words) from the fixture to the black wire from the building with the provided wire nut (A).
5. Secure each connection by tightening and then checking that no wires can be pulled out.
IT IS IMPERATIVE THAT YOU DO NOT MIX THESE WIRES. OR SAFETY WILL BE COMPROMISED.
6. Carefully tuck the wires inside the outlet box. Secure the mounting plate (B) to the outlet box in your wall using the two mounting screws (C).
7. Secure back plate (E) onto mounting plate (B) by using side screws (D).
8. Secure the back plate (G) to plate (J) by using screw (H).
9. Put the shade (N) and finial (L) on the fixture (F) by securing with the metal (M). Insert bulb (not included) into socket.
10. Installation is complete, turn on power at fuse or circuit breaker.



VISUAL COMFORT & Co. Est. 1987