

ASSEMBLY INSTRUCTIONS

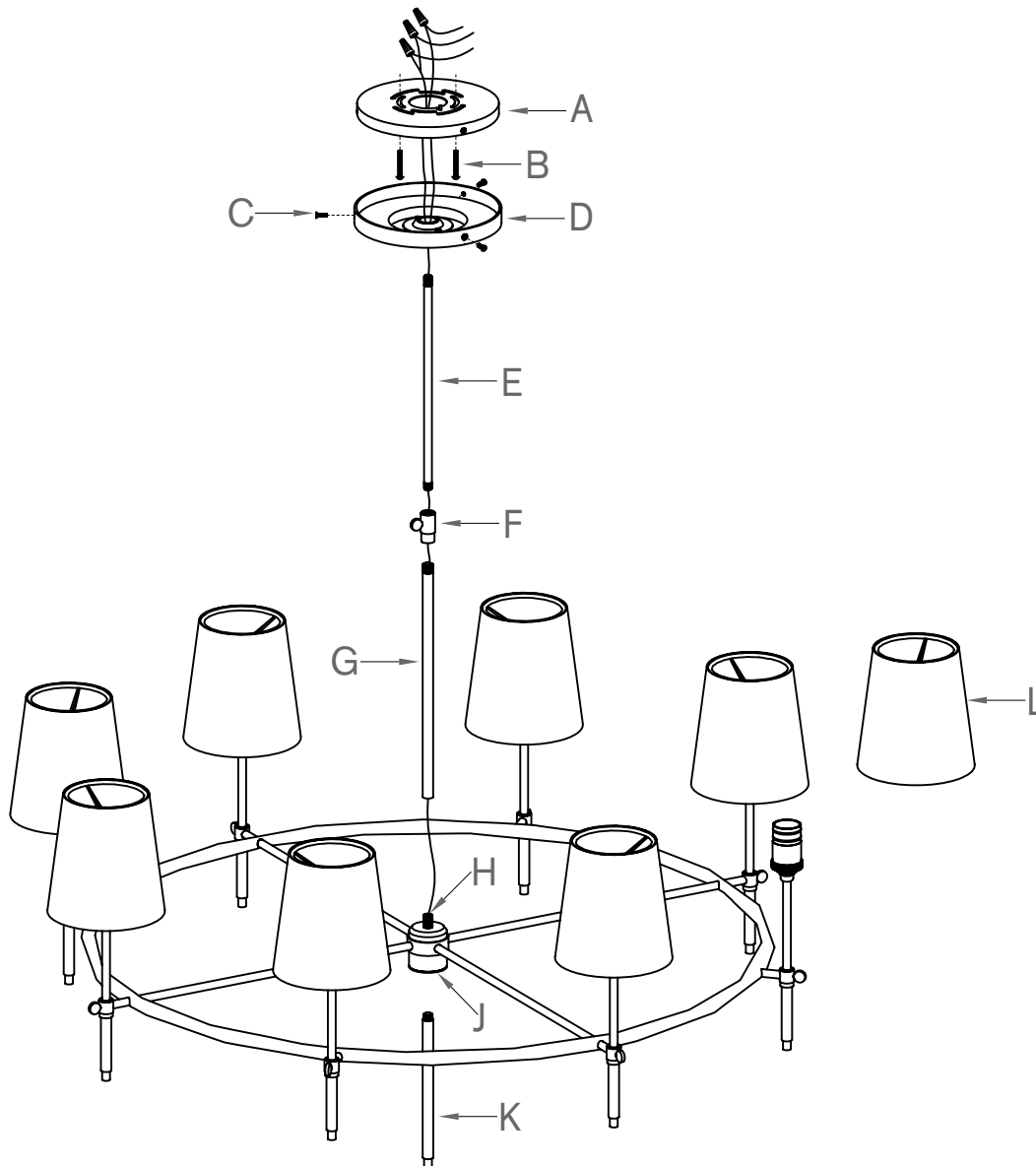
Bryant Large Ring Chandelier Item # TOB 5024

WE RECOMMEND INSTALLATION OF THIS LIGHTING FIXTURE BE DONE BY A LICENSED ELECTRICIAN.

WARNING * SWITCH OFF THE MAIN ELECTRICAL SUPPLY FROM THE MAIN FUSE BOX/CIRCUIT BREAKER BEFORE INSTALLATION.**

INSPECT ITEM CAREFULLY BEFORE ATTEMPTING TO INSTALL. IF THERE IS ANY DAMAGE OR OBVIOUS DEFECT, DO NOT INSTALL.

ITEM MAY NOT BE RETURNED ONCE IT HAS BEEN INSTALLED.



1. Carefully remove all parts from the carton.
2. Thread the nipple on top of pole (K) into the threaded hole on bottom of light fixture (J).
3. Screw pole (G) onto the top nipple (H) on light fixture by turning in a clockwise direction.
4. Screw the nipple on pole (G) into the threaded hole on bottom of connector (F).
5. Screw the nipple on the bottom of pole (E) into the threaded hole on top of connector (F).
6. Remove mounting plate (A) from canopy (D) by removing canopy screws (C) in counter-clockwise direction.
7. Affix mounting plate (A) to ceiling outlet box with mounting screws (B) provided.
8. Gently pull the wires from the ceiling outlet and allow the wires to hang. Thread the wire through the center hole of mounting plate (A).
9. Attach the bare copper ground wire from the fixture to the ground junction box wire (usually green or copper), fasten together with a plastic wire connector. Tighten wrap the wire connector with electrical tape. Be sure no wire strands are exposed. **IT IS IMPERATIVE THAT THE OUTLET BOX IN YOUR HOME BE PROPERLY GROUNDED.**
10. Connect neutral wire from fixture (ridges molded wire) to the neutral wire from the junction box (usually white). Fasten both wires together with a plastic wire connector and tightly wrap the wire connector with electrical tape. Be sure no wire strands are exposed.
11. Connect the hot wire from the fixture (smooth wire) to the hot wire (usually black) from the junction box. Fasten each together with a plastic wire connector and wrap the connection with electrical tape. **DO NOT REVERSE THE HOT AND NEUTRAL CONNECTIONS OTHERWISE SAFETY WILL BE COMPROMISED.**
12. Tuck wire connections neatly into ceiling outlet box.
13. Attach canopy (D) to the affixed mounting plate (A) and secure canopy screws (C).
14. Insert light bulbs (not included) into sockets.
15. Clip shades (L) onto the light bulbs.
16. Installation is complete. Restore power and test fixture.

*** Clean with a dry, soft cloth only. Use no harsh abrasives or chemical agents.