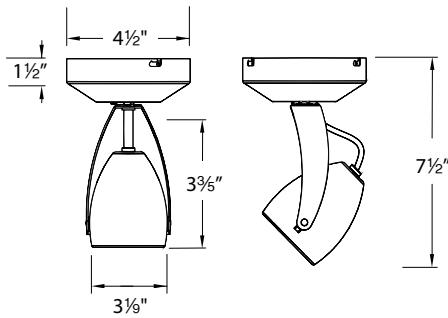


IMPULSE – model: MO-LED810

LEDme® Monopoint

WAC LIGHTING

Responsible Lighting®



Fixture Type:

Catalog Number:

Project:

Location:

PRODUCT DESCRIPTION

Multiple diodes LED compact canopy mounted luminaire.

FEATURES

- Energy Star® rated
- Can be wall or ceiling mounted
- Available interchangeable reflectors
- 360° horizontal rotation and 180° vertical aiming
- Free of projected heat, UV and IR radiation
- Replaceable LED module (consult factory)
- 60,000 hour rated life
- Meets 2013 California Title 24 Efficiency (Only for CCT of 927 and 9W)
- ETL & cETL listed
- 5 year WAC Lighting product warranty

SPECIFICATIONS

Construction: Die-cast aluminum construction

Light Source: 10W Cree Multi-chip LED
Total power consumption of 12W with integral driver

Dimming: Smooth and continuous ELV dimming to 10%

Finish: Powder coated Black (BK) and White (WT)

Standards: ETL & cETL Listed.

ORDER NUMBER

Model #	Beam Spread	Color Temp	Finish
MO-LED810	S 20°	927 2700K (90 CRI)	BK Black WT White
		27 2700K	
	F 40°	9W 3000K (90 CRI)	
		WW 3000K	
	35 3500K		
	CW 4000K		

Replacement Modules

2700K (90 CRI)	BXRC-27G1000
2700K	BXRC-27E1000
3000K	BXRC-30G1000
3000K (90 CRI)	BXRC-30E1000
3500K	BXRC-35E1000
4000K	BXRC-40E1000

MO-LED810 - -

Example: **MO-LED810S-CW-BK**

ACCESSORIES

Framing Projector	008FP	BK Black
Barn Door	801BD	WT White

Interchangeable Reflectors

20°	RF-S
40°	RF-F

WAC Lighting

www.waclighting.com

Phone (800) 526.2588 • Fax (800) 526.2585

Headquarters/Eastern Distribution Center

44 Harbor Park Drive • Port Washington, NY 11050

Phone (516) 515.5000 • Fax (516) 515.5050

Western Distribution Center

1750 Archibald Avenue • Ontario, CA 91760

Phone (800) 526.2588 • Fax (800) 526.2585